

EasyPalletizer Pro



EasyRobotics®
- we move your parts

EasyPalletizer Pro

The EasyPalletizer Pro, is a platform designed for the purpose of making palletizing easy and mobile inside a factory.

EasyPalletizer Pro is a stationary palletizing robot for loading pallets with cartons, boxes or workpieces. The system is placed next to the conveyor belt. During the operation, robot automatically grabs cartons or workpieces from the conveyor, and then, depending on the installed program, puts it down on a pallet in accordance with the customer's requirements.

The EasyPalletizer Pro can be equipped with robotarm from several manufacturers as well as Lifting module.

EasyPalletizer Pro can simultaneously work with two pallets. Pallet detection sensors, placed on 2 sides of the loading station, ensure correct docking of pallet before starting palletizing.

Easy access console:

- The controller and control buttons are conveniently located on the console at a height of 1.4 meters, which makes operation easy and comfortable. The buttons activate the pallet function, stop operation or activate the "reset" function.



Multipurpose LED lamps

- At the front of the EasyPalletizer Pro are located two I/O connectable multipurpose LED lamps (with multiple configurable colors).

Pallet detection

- The EasyPalletizer Pro has four detection pins on each pallet site which ensure correct docking of pallet before starting palletizing. By the functionality loading stability is ensured as well as a safe operation stabilizing the components.

Fully automatic solution

- When one pallet is completely loaded, the robot automatically starts to process another one. Then the finished pallet can be removed, and a new one can be placed in the EasyPalletizer. Meanwhile the robot can continue its work.

Features:

1. Ergonomic reach, adjustable with pallet width;
2. Easy access console with buttons;
3. Sliding out controller compartment;
4. Automatic pallet detection system, compatible with all types of pallets;
5. Multifunctional LED lights;
6. Retractable side legs for working with a payload of up to 20 kg.

Compatibility:

1. with US, EU, Australian pallets;
2. with cobots w. payload of up to 20 kg.

Applications

There are several applications which make the Palletizer Pro the right choice for the industry;

- Floor level palletizing and depalletizing;
- Load transfer stations to mobile robots from conveyor or other fixed units;
- Unload/load transfer systems;
- Dual palletizing.

EasyRobotics understands the industrial requirement of palletization with a collaborative robot arm. Robots are fast and help to improve the quality of packaging.

Additionally, they not only make palletizing and packaging of goods more systematic, which is important in the reduction of storage costs, but also ensure a clean packing process, especially essential for food and pharma goods.

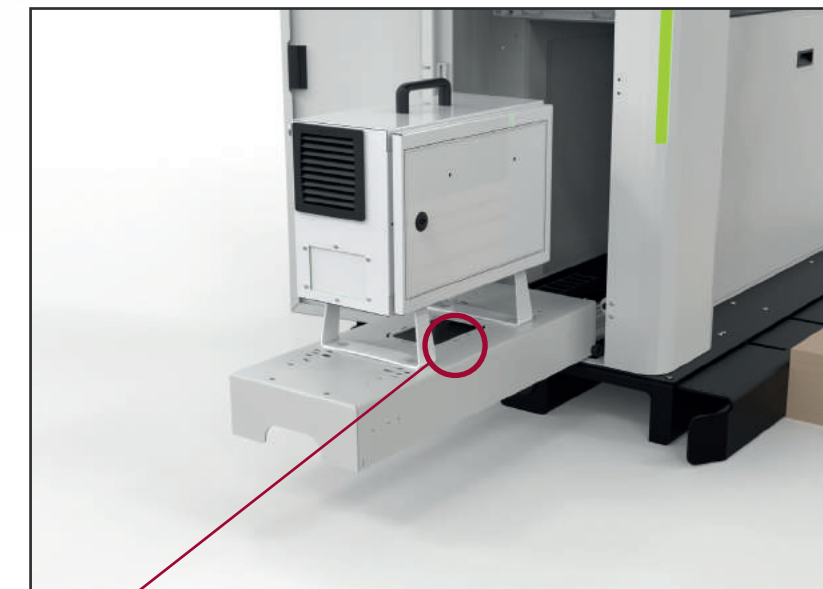
Delivery options

The standard Palletizer Pro can be delivered:

1. Without pedestal.
2. With pedestal.
3. With lifting module.

Sliding out controller compartment

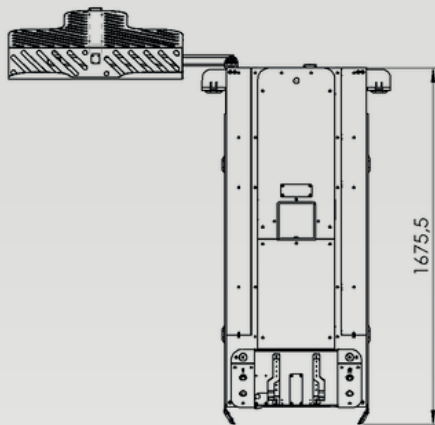
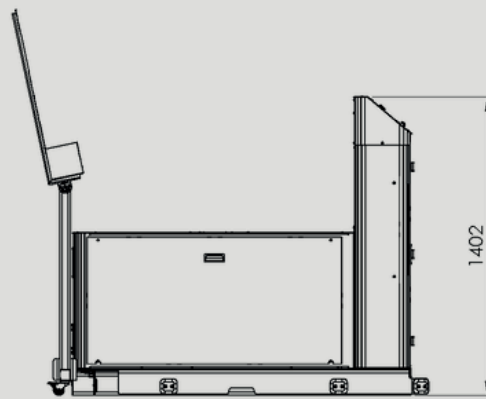
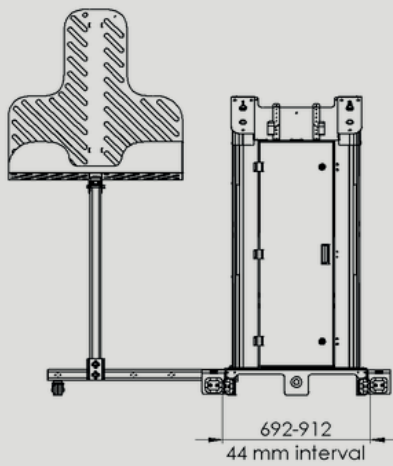
- The EasyPalletizer Pro has very easy access to the inside of the controller compartment. This makes cable management quick and handy. You also get access to the component plate inside the console for mounting communications cables, air equipment, etc.



BENEFITS

Automatic and robotic palletizers have many qualities that elevate them above manual palletizers.

- Load stability and precision.
- High operation speed.
- Safe movement of packages.
- Fewer associated worker injuries.
- Moving packaged units much easier, safer and less labor intensive.
- Movable palletizing cell with fast mechanical setup with a pallet lifter.
- Flexibility for manufacturing.



Product order overview

PTP-1000	Palletizer One Base	H: 710 mm, W: 870, L: 1350, Wt: 190 kg, For 2 pallets with 4 sensors and 2 configurable LED-lights
PTP-1001	Palletizer One with fixed Pedestal	H: 835 mm, W: 870, L: 1350, Wt: 200 kg, For 2 pallets with 4 sensors and 2 configurable LED-lights, Fixed pedestal
PTP-1002	Palletizer One with Liftkit	H: 880 (+900) mm, W: 870, L: 1350, Wt: 250 kg, For 2 pallets with 4 sensors and 2 configurable LED-lights, with LiftKit 900mm stroke
PTP-1003	Palletizer One Base Stainless Steel	H: 710 mm, W: 870, L: 1350, Wt: 195 kg, For 2 pallets with 4 sensors and 2 configurable LED-lights, AISI304
PTP-1004	Palletizer One with fixed Pedestal Stainless Steel	H: 835 mm, W: 870, L: 1350, Wt: 205 kg, For 2 pallets with 4 sensors and 2 configurable LED-lights, Fixed pedestal, AISI304

Danish manufacturer and supplier of robotic cells for all types of automation.

EasyRobotics®
- we move your parts

EasyRobotics ApS
Mommarkvej 5
DK-6400 Sønderborg
Phone: +45 31 25 06 02
info@easyrobotics.dk
www.easyrobotics.biz

